



Count on it.

# EZ-Flo® II Series Plastic Valves

V A L V E S



EZ-Flo® II Series Valves



Effluent water solenoid assembly and tag (RW60-Kit) available.



DC latching solenoid assembly

## 20 and 25mm (3/4" and 1") Electric Models

### Features

- Threaded jar-top bonnet system with heavy-duty cap ring (no screws) for fast and easy servicing
- Globe configuration
- Male/Female thread BSP: 3/4" and 1"
- Optional flow control (FC)
- Internal manual bleed
- Body and bonnet is Nylon reinforced with fiberglass (30%)
- Captive solenoid (the plunger is retained in the solenoid)
- Slow, anti-water hammer closing
- Double-beaded diaphragm in thermoplastic rubber
- Working pressure: 0.7 to 6.9 bars (10-100 PSI)
- Solenoid: 24 V/50 Hz
  - Inrush current: 0,34 Amp.
  - Holding current: 0,20 Amp.
- Floating bleed tube allows thermal expansion without affecting performance
- Easily serviced without removal from the system

### Specifications

- Flow range:
  - 1-114 LPM (0.25-30.0 GPM)
- Operating pressure: 0.7-6.9 Bar (10-100 PSI)
- Body styles (Globe valve):
  - 20mm (3/4") male/female NPT/BSP
  - 25mm (1") male/female BSP
- Solenoid: 24 V a.c.
  - Inrush: 0.4 Amps, 11.50 VA
  - Holding: 0.2 Amps, 5.75 VA

### Dimensions:

- Female globe: 130 x 75 x 101mm (5 1/8" x 3" x 4") (H x W x L)
- Male globe: 130 x 75 x 127mm (5 1/8" x 3" x 5") (H x W x L)

### Options Available

- Reclaimed water purple solenoid assembly and tag (RW60-Kit)
- DC latching solenoid assembly

EZ-Flo II Friction Loss Data - Metric (Bar)						
Size	LPM Flow					
	20	40	60	80	100	120
20mm	0,44	0,39	0,25	0,35	0,57	0,87
25mm	0,37	0,43	0,34	0,30	0,40	0,54

Note: For optimum sprinkler performance when designing a system, calculate total friction loss to ensure sufficient downstream pressure.

## Specifying Information

Model	Flow Control	Body Threads	Size
EV - EZ Flo II valve	0 - without Flow Control 2 - with Flow Control	2 - Male x Male, BSP 3 - Female, BSP	3 - 20mm (3/4") 4 - 25mm (1")
For Example: When ordering a male x male, 25mm (1") EZ Flo II Series valve with BSP threads, flow control and a 50 Hz solenoid, you would specify:			
<b>EV-22-54</b>			



Count on it.

# EZ-Flo® Plus Series Plastic Valves

## V A L V E S

### 25mm (1") Electric Model

#### Features

- Threaded jar-top bonnet system with heavy-duty cap ring (no screws) for fast and easy servicing
- Tough, double-beaded Santoprene® diaphragm for a longer life and to prevent leaking
- Resilient Buna-N diaphragm seat seal
- Manual internal bleed
- Manual external bleed (flush mode)
- Full stainless-steel metering system
- Floating bleed tube allows thermal expansion without affecting performance
- Heavy-duty PVC, glass-filled polypropylene and stainless-steel construction (corrosion and UV-resistant)
- Encapsulated solenoid with captured hex plunger and spring
- Easily serviced without removal from the system
- Less solenoid models available
- Extended 3 year warranty

#### Specifications

- Flow range:
  - 25mm (1"): 1-114 LPM (0.25-30.0 GPM)
- Operating pressure: 0.7-10 Bar (10-150 PSI)
- Body styles: (Globe valve):
  - Male and female models available
  - 25mm (1")
  - NPT/BSP
  - Less solenoid models available
- Solenoid: 60 Hz (24 V.a.c.)
  - Inrush: 0.4 Amps, 11.50 VA
  - Holding: 0.2 Amps, 5.75 VA
- Solenoid: 50 Hz (24 V.a.c.)
  - Inrush: 0.34 Amps, 11.50 VA
  - Holding: 0.2 Amps, 5.75 VA
- Dimensions:
  - Female globe: 130 x 75 x 101mm (H x W x L) (5 1/8" x 3" x 4")
  - Male globe: 130 x 75 x 140mm (H x W x L) (5 1/8" x 3" x 5 1/2")

#### Options Available

- Reclaimed water purple solenoid assembly and tag
- DC latching solenoid\* assembly

\*The maximum pressure for a valve that utilizes a DC latching solenoid is 8 bar (120 PSI).



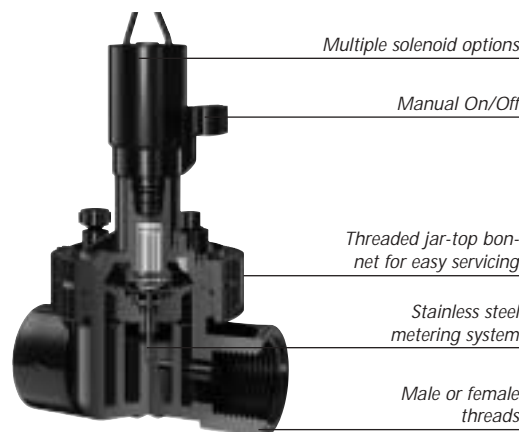
Effluent water solenoid assembly and tag (RW60-Kit) available.



DC latching solenoid assembly



EZ-Flo® Plus Series Valve



EZ-Flo Plus Series Friction Loss Chart – Metric Data (Bar)*							
Size	Type	LPM Flow					
		1	19	38	57	76	114
25mm (1")	Inline	0,14	0,24	0,28	0,21	0,23	0,43

Flow rates are recommended not to exceed 0,35 Bar loss. Values are listed in Bar.

EZ-Flo Plus Series Friction Loss Chart – English Data (PSI)*							
Size	Type	GPM Flow					
		.25	5	10	15	20	30
1" (25mm)	Inline	2.0	3.5	4.0	3.0	3.3	6.2

Note: For optimum sprinkler performance when designing a system, calculate total friction loss to ensure sufficient downstream pressure. Flow rates are recommended not to exceed 5 PSI loss. Values are listed in PSI.

### Specifying Information – EZ-Flo Plus Valves

Threads	Flow Control	Body Threads	Solenoid	Size
F–NPT P–BSP	0–w/o F.C. 2–with F.C.	0–Slip 1–M x M, NPT 2–M x M, BSP 3–Female, BSP 5–Male x Barb 6–Female, NPT	0–60Hz 5–50Hz 6–None (BSP only)	4–25mm (1")

For Example:

When ordering a Male x Male, BSP thread, 25mm (1") EZ-Flo Plus Valve with flow control and a 50Hz solenoid, you would order:

**EZP-22-54**

Note: Some model combinations are not available. Consult your local Toro distributor for availability in select markets.



Count on it.

**Worldwide Headquarters**  
 The Toro Company  
 8111 Lyndale Avenue South  
 Bloomington, MN 55420  
 Phone: 952-888-8801  
 Fax: 952-887-7265  
 www.toro.com

GB Form Number: 200-2784  
 ©2005 The Toro Company – All Rights Reserved.